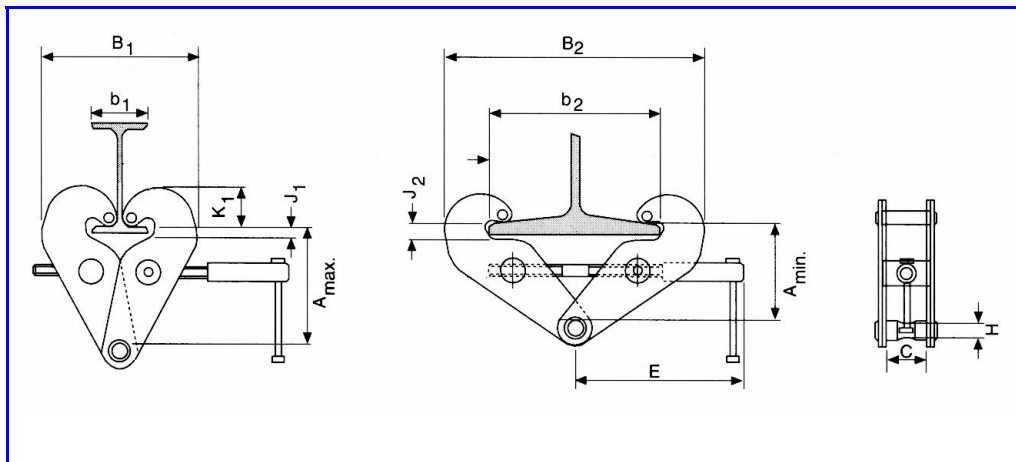


beam clamp

- Capacities 1000 - 10000 kg
- Provides quick and versatile rigging point
- Wide adjustment range
- Central spindle allows easy adjustment
- Spindle can be secured against loosening



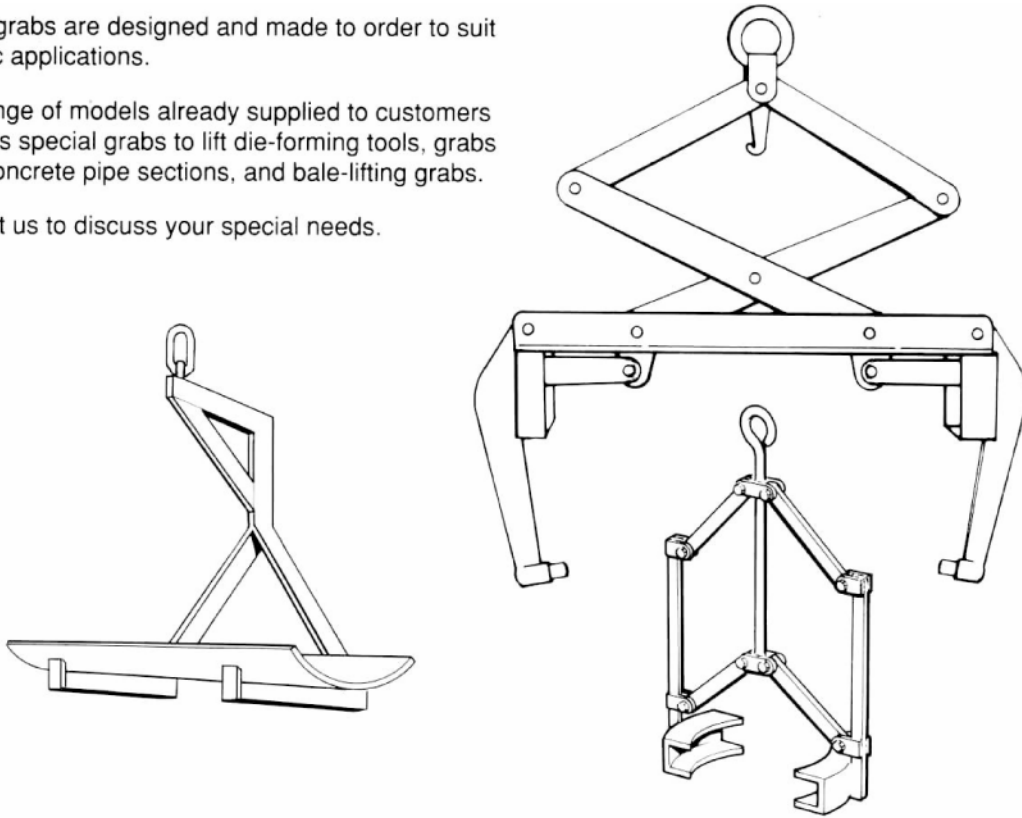
Code	Capacity kg	Dim in mm												Weight kgs
		A _{min}	A _{max}	B ₁	B ₂	b ₁	b ₂	C	E	H	J ₁	J ₂	K ₁	
YC 1	1,000	115	150	186	350	75	230	50	215	20	14	21	48	3.8
YC 2	2,000	115	150	186	350	75	230	50	215	20	14	21	50	4.6
YC 3	3,000	180	225	232	455	80	320	70	255	22	30	34	60	9.2
YC 5	5,000	180	225	242	445	90	310	70	255	28	30	34	60	11
YC 10	10,000	175	220	268	480	90	320	70	275	38	34	35	60	17.2

lifting grabs

Lifting grabs are designed and made to order to suit specific applications.

The range of models already supplied to customers includes special grabs to lift die-forming tools, grabs to lift concrete pipe sections, and bale-lifting grabs.

Contact us to discuss your special needs.



lifting beams & spreaders

Any configuration of lifting beam or spreader beam can be made to order.

Contact us to discuss your requirements.

